



R2H-4

World standard originally patented by Sakai in 1970s

STATIC THREE WHEEL ROLLER

Versatile static three wheel roller for various types of paving compaction jobs

Best Compaction Quality and Efficiency

- Equal static linear pressure across all drums provides uniform compaction.
- Articulated center-point steering.
- The all-drum hydrostatic drive with the largest diameter drums leaves a smooth finish and minimizes pushing and shoving of hot mix asphalt (HMA) mat.

Eco Mode (R2H-4)

- Sakai's new ECO compaction mode (ECM), which reduces fuel consumption up to 40%.

High Safety Standards

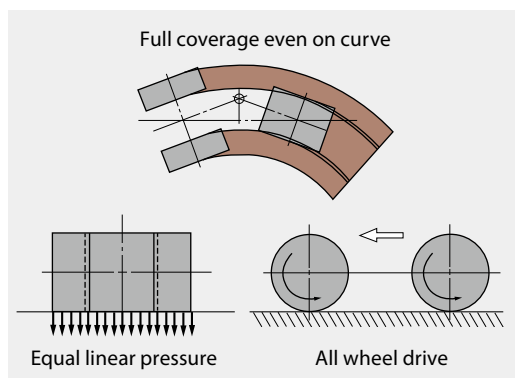
- 1 m × 1 m visibility.
- Emergency brake pedal is standard.

Easy Maintenance

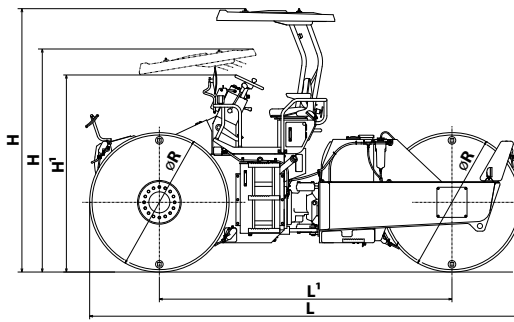
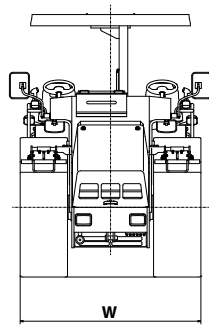
- Easy access to engine, hydraulics, devices, filters, etc. from ground.
- Sprinkler system with anti-clog package, i.e., a plastic water tank, triple-protection filtration, etc., and with perfect draining winterization.
- Direct access to spray nozzles from operators station.
- Rugged articulated center-pin joint.
- KUBOTA V3307 engine features OHV4 valve and Turbo that maintains output even at high elevations.



R2H-2



R2H Series



TYPE		Static Three Wheel Roller			
MODEL		R2H-4	R2H-2	R2H-2k	
CHASSIS MODEL		1R7	1R5	1R6	
WEIGHTS	Max. operating weight with AWNING	kg (lbs)	14,080 (31,040)	14,070 (31,020)	
	Operating weight with AWNING	kg (lbs)	13,700 (30,205)	13,690 (30,185)	
	Load on front axle - operating weight with AWNING	kg (lbs)	6,760 (14,905)	6,690 (14,750)	
	Load on rear axle - operating weight with AWNING	kg (lbs)	6,940 (15,300)	7,000 (15,435)	
PERFORMANCE	Static linear pressure for front drum - operating weight with AWNING	N/cm (lbs/in)	602 (345)	597 (340)	
	Static linear pressure for rear drum - operating weight with AWNING	N/cm (lbs/in)	618 (355)	624 (355)	
	Number of speed shifts		2		
	Speed range (L / H)	km/h (mph)	0 - 8 / 0 - 16 (0 - 5.0 / 0 - 9.9)		
DIMENSIONS	Gradeability	% (°)	31 (17)		
	Turning radius compacted surface (inside / outside)	m (in)	4.2 (166) / 6.3 (249)		
	Overall length L	mm (in)	5,020 (198)		
	Overall width W	mm (in)	2,100 (83)		
ENGINE	Overall height (without AWNING) H ¹	mm (in)	2,290 (90)		
	Overall height (with AWNING) H [fold / unfold]	mm (in)	2,595 / 3,060 (102 / 120)		
	Wheelbase L ¹	mm (in)	3,400 (134)		
	Compaction width W	mm (in)	2,100 (83)		
	Drum width W / Drum diameter R / Number of drums	mm (in)	front : 550 (22) / 1,620 (64) / 2 rear : 1,100 (43) / 1,620 (64) / 1		
	Shell thickness	mm (in)	28 (1.1)		
	Ground clearance	mm (in)	340 (13)		
	Curb clearance	mm (in)	∞		
	Side clearance	mm (in)	0		
	ENGINE	Make	KUBOTA		
		Model	V3307-CR-T-EF05 (EPA Tier4)	V3307-DI-T-KDN (EPA Interim Tier4 : equivalent)	V3307-DI-T-E2B-RRSH1 (Non EPA Emission)
		Type	Diesel, water-cooled, 4-cycle, 4-cylinder inline, with turbo charger		
	Displacement	L (cu.in)	3.331 (203.3)		
	Rated output	kW (HP)/min ⁻¹	54.6 (73) / 2,200		
	Electric system battery	V (V /Ah × Qty)	12V (12V / 72 × 1)		
	Electric system alternator	V/A	12V / 90A	12V / 80A	
DRIVE SYSTEM	Power transmission type	Hydrostatic			
	Drive wheel	All wheel (Three drums)			
BRAKE SYSTEM	Service brake	Dynamic braking through hydrostatic drive system / FNR lever			
	Secondary brake (Emergency brake)	Hydrostatic + Spring applied hydraulically released type (SAHR) / Brake pedal			
	Parking brake	SAHR / Panel button			
STEERING SYSTEM	Power transmission type	Hydraulic			
	Articulation / Oscillation angle	± (°)	36 / 5.3		
FLUID CAPACITY	Fuel tank	L (gal)	100 (26.4)		
	Hydraulic oil tank	L (gal)	85 (22.5)		
	Water sprinkler tank	L (gal)	680 (179.6)		

● Specified figures have a tolerance of ±5%.
 ● All specifications may be changed without notice.
 ● Specified figures are in SI Units, followed by their equivalent in English units of measurement in parentheses.

● Max. operating weight : Fuel=100%, Water=100%, Operator=75kg
 ● Operating weight : Fuel=50%, water=50%, operator=75kg
 ● The photos may contain optional equipment and/or attachment.

* Engine meets EPA standards for R2H-4, R2H-2.
 * Using low quality fuel may cause engine failure.



ISO9001 certified Tokyo Head Office,
 Tokyo Factory, Global Service Division,
 Technical Development Division.



SAKAI HEAVY INDUSTRIES, LTD.

HEAD OFFICE: 1-4-8, SHIBA DAIMON, MINATO-KU, TOKYO JAPAN
 TELEPHONE: +81-3-3431-9971
 FACSIMILE: +81-3-3436-6212

Standard Equipment :

- Instrument panel ● Gauges ● Scrapers for both directions
- Backup alarm ● Horn ● AWNING ● Comfort seat
- Front-facing working lights ● Rear-facing working lights
- Turn signal lamp ● External rear view mirrors
- Pressurized water sprinkler system ● Intermittent water spray timer
- Accessory socket (12V, R2H-4) ● ECO Mode (R2H-4)

Optional Equipment :

- ROPS CANOPY[w/ Seatbelt] ● Rotary beacon ● Vandalism protections
- 4 points lifting