



SW800
with AWNING

VIBRATORY TANDEM ROLLER

10 ton double drum vibratory rollers for asphalt compaction

SW800: High Frequency (4000 vpm), Standard Vibration

The SW800 can be operated at 30–60% faster speed than those conventional vibratory roller of 2500 or 3000 vpm setting.

Thus, the compaction work can be finished while asphalt mix is still hot and the SW800 makes smooth and dense mat.

SW800N: Oscillation

The SW800N is a oscillatory (horizontal vibration) roller and is suitable for compaction of thin pavement (no crushing of aggregates), bridge (not affecting structure), or near residential area or IT factory (environmentally friendly operation).

Excellent Compaction Performance

(● for SW800 ● for SW800N ● for all models)

- Faster compaction speed without increasing impact spacing
- Easy selections of vibration settings via selector switches; Frequency, amplitude, auto/manual mode, drum selection
- There are gear driven oscillation mechanism and belt drive type. SAKAI SW800N employs the gear drive type that greatly reduces down time and cost for maintenance.

* The belt drive type required to replace belts periodically

Reliable and Efficient Water Sprinkler System

- Sprinkler pipe covers against wind for constant spray
- Timer controlled intermittent spray
- Rust free water system
- Hand-dismounting type durable brass spray nozzles
- Triple filtering system, complete water drain for winterization

Operator Comfort and Safety Features

- 180 degree swiveling operator console
- SAKAI's original shock absorbing system for better vibration isolation and longer parts life
- Emergency pedal brake for additional safety



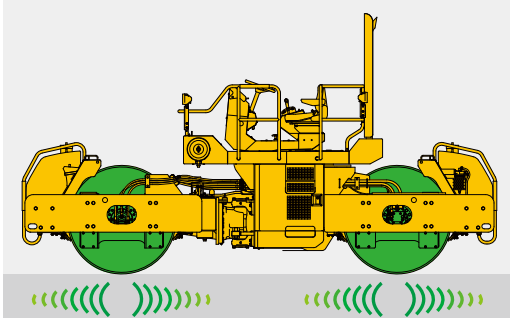
SW800N
with AWNING

Advantage of 4,000vpm vs 3,000vpm (SW800)

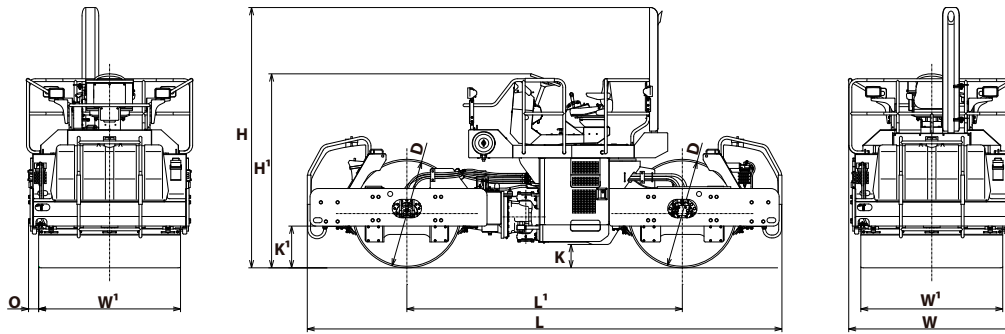
4,000 vpm	Speed: 6.0 km/h	Productivity: OK Quality: OK
IPM: 40 (Impact space: 2.5cm)		
3,000 vpm	Speed: 6.0 km/h	Productivity: OK Quality: NO
IPM: 40 (Impact space: 3.3cm)		
3,000 vpm	Speed: 6.0 km/h	Productivity: NO Quality: OK
IPM: 40 (Impact space: 2.5cm)		

IPM: Number of Impacts per meter

View of Oscillation (SW800N)



SW800·800N



TYPE		Vibratory Tandem Roller - High Frequency		Vibratory Tandem Roller - Oscillation		
MODEL		SW800		SW800N		
WEIGHTS	Max. operating weight	kg (lbs.)	10,480 (23,105)	10,890 (24,010)		
	Operating weight	kg (lbs.)	9,880 (21,780)	10,290 (22,685)		
	Load on front	kg (lbs.)	4,560 (10,055)	4,770 (10,515)		
	Load on rear	kg (lbs.)	5,320 (11,730)	5,520 (12,170)		
	Static Linear Pressure, front	kg/cm (lbs./in.)	26.8 (150)	28.1 (155)		
	Static Linear Pressure, rear	kg/cm (lbs./in.)	31.3 (175)	32.5 (180)		
PERFORMANCE	Centrifugal force (each drum)		Low amp.	High amp.	Oscillation	
	@ 4,000 vpm (66.7 Hz) frequency	kN (lbs.) [kgf]	121 (27,115) [12,300]	-		
	@ 3,000 vpm (50 Hz) frequency	kN (lbs.) [kgf]	68 (15,210) [6,900]	108 (24,250) [11,000]	123 (27,650) [12,545]	
	@ 2,500 vpm (41.7 Hz) frequency	kN (lbs.) [kgf]	47 (10,580) [4,800]	76 (16,975) [7,700]	-	
	Amplitude	mm (in)	0.33 (0.013)	0.55 (0.022)	0.66 (0.026)	
	Number of speeds		2			
	Speed range (L / H)	km/h (mph)	0-8 / 0-13 (0-5 / 0-8.1)		0-7 / 0-11 (0-4.3 / 0-6.8)	
	Gradeability	% (°)	33% (18)			
	Turning radius at compacted surface (inner / outer)	m (in)	4.0 / 5.9 (158 / 231)			
	DIMENSIONS	Overall length L	mm (in)	5,690 (224)		
Overall width W		mm (in)	2,000 (79)			
Overall height at the top of steering wheel H¹		mm (in)	2,325 (92)	2,310 (91)		
Overall height at the top of exhaust pipe H		mm (in)	3,120 (123)	3,105 (122)		
Overall height with canopy		mm (in)	3,130 (123)	3,115 (123)		
Overall height with ROPS canopy		mm (in)	3,210 (126)	3,195 (126)		
Wheelbase L¹		mm (in)	3,300 (130)			
Compaction width W¹		mm (in)	1,700 (67)			
Drum width W¹ / Drum diameter D		mm (in)	1,700 x 1,300 (67 x 51)	1,700 x 1,270 (67 x 50)		
Ground clearance K		mm (in)	280 (11)	265 (10.4)		
Curb clearance K¹		mm (in)	500 (19.6)	485 (19)		
Side overhang-each side O		mm (in)	121 (4.7)			
ENGINE		Make		Isuzu		
	Model		4BG1 TRB-06 (EPA-Tier 2 equivalent)			
	Type		Water-cooled, 4-cycle, 4-cylinder, overhead valve, direct injection type diesel engine with turbo charger			
	Displacement	L (cu.in)	4.329 (264.2)			
	Rated output	kW(HP)/min ⁻¹	86.7 (116) /2,500			
	Electrical system-battery	V (V / Ah x Qty)	24 V (12 V / 100 Ah x 2)			
	Electrical system-alternator	V / A	24 V / 50 A			
DRIVE SYSTEM	Power transmission type		Hydrostatic			
	Drive wheel		Both drums			
VIBRATION SYSTEM	Power transmission type		Hydraulic			
	Vibrator type		Single eccentric shaft type			
BRAKE SYSTEM	Service brake (Primary)		Hydrostatic, dynamic type (FNR lever)			
	Parking brake (Secondary)		Spring applied, hydraulically released type multi-discs brake (Parking brake button)			
	Emergency brake		Hydrostatic + Spring applied, hydraulically released type (Brake pedal)			
STEERING SYSTEM	Type		Hydraulic type (articulated)			
	Articulation / Oscillation angle	± (°)	±37 ° / ±6.5°			
FLUID CAPACITY	Fuel tank	L (gal)	220 (58.1)			
	Hydraulic oil tank	L (gal)	80 (21.1)			
	Water sprinkler tank	L (gal)	500 x 2 (132.1 x 2)			

- The specified figure have a tolerance of ± 5%..
- All specifications may be changed without notice.
- The specified figures are in SI Unit, followed by their equivalent English Unit of measurement in ().

- Maximum operating weight includes 100% fuel, 100% water and a operator of 75 kg.
- Operating weight includes 50% fuel, 50% water and a operator of 75 kg.

Standard Equipment :

- Instrument panel ● Gauges ● Scrapers for both directions ● Horn
- 180 degree swivel seat ● Front-facing working lights
- Rear-facing working lights ● Front/rear independent vibration control
- Pressurized water sprinkler system ● Intermittent water spray timer
- Vandalism protection

Optional Equipment :

- AWNING ● ROPS-Canopy w/ seat belt ● CABIN ● Air conditioner ● Heater



ISO9001 certified Tokyo Head Office,
Tokyo Factory, Global Service Division,
Technical Development Division.

SAKAI HEAVY INDUSTRIES, LTD.

HEAD OFFICE: 1-4-8, SHIBA DAIMON, MINATO-KU, TOKYO JAPAN
TELEPHONE: +81-3-3431-9971
FACSIMILE: +81-3-3436-6212